

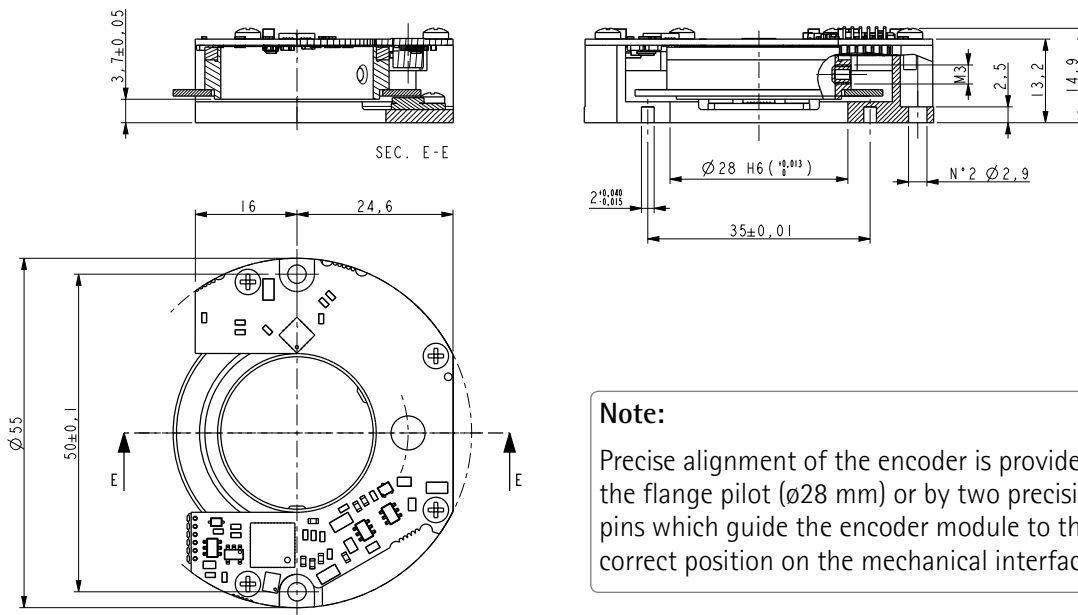
- Absolute kit-encoders
- Precise optical sensing
- Singleturn resolution up to 21 bit
- Electronic multiturn counter
- Hollow shaft up to Ø24 mm

Applications:

- Robotic joints
- Cobots
- Hollow shaft motors
- Electromedical devices



ASM5 • AMM5



Note:
Precise alignment of the encoder is provided by the flange pilot (Ø28 mm) or by two precision pins which guide the encoder module to the correct position on the mechanical interface.

GENERAL SPECIFICATIONS	
Resolution:	absolute: from 17 to 21 bit (singleturn) 65536 rev. max (multiturn)(*) incremental: 1024 PPR AB /AB
Accuracy:	typ. ±0,01°
Interface:	absolute: BiSS-C/SSI, RS485 incremental: 1Vpp sine/cosine AB /AB
Hollow shaft diameter:	Ø 24 mm (smaller on request)

ACCESSORIES	
EC-DF19-LK-TF12:	Calibration cable
PF5017:	Disk hub (spare part)
PF5019:	Disk spacer (mounting tool)

(*) multiturn count can be stored if backup battery is provided

More detailed information are available on request.