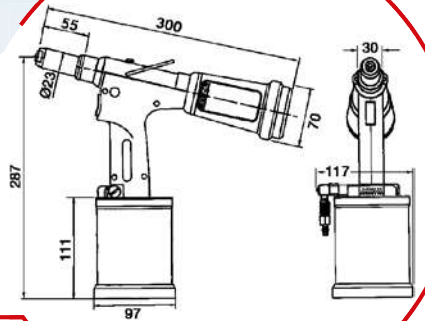
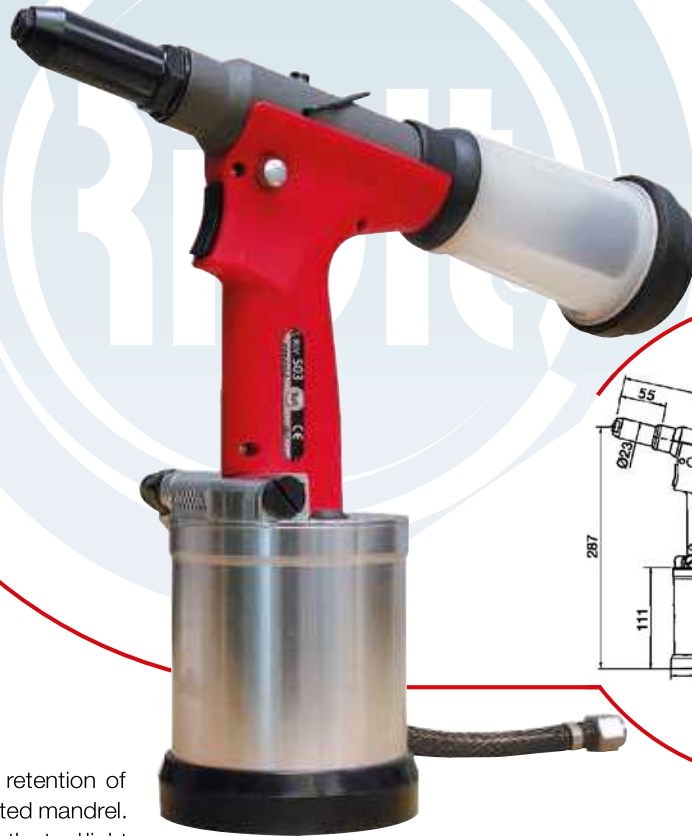


# RIV503 Hydropneumatic tool for standard & structural blind rivets



**Code 4035700**

**To place standard blind rivets, up to Ø 4.8, in all materials (for aluminium only Ø 6.0).**

RIV503 is a hydropneumatic tool with retention of the blind rivet and capture of the separated mandrel. Plastic handle and aluminium body make the tool light and handy, and consequently easy to use for operators. RIV503 combines functionality with a highly competitive price, which makes it very attractive for those who uses this kind of tool continuously and professionally.

## Fittings

Description	Pc	Code
Nosepiece Ø 2.4 mm	1	<b>4199000</b>
Nosepiece Ø 3.2 mm	1	<b>4199100</b>
Nosepiece Ø 4.0 mm	1	<b>4199200</b>
Nosepiece Ø 4.8 mm (on head)	1	<b>4169100</b>
Nosepiece Ø 6.0 mm for aluminium	1	<b>4041700</b>
Nosepiece Ø 4.8-3/16 for Monriv rivet	1	<b>2524800</b>
Jaws (3 pcs)	2	<b>1250100</b>
Jaw opener	1	<b>4139200</b>
Jaw return spring	1	<b>4134000</b>
Jaws carrier cone	1	<b>4133800</b>
Oil syringe	1	-
Oil	1	-
Hexagonal allen wrench 3 mm	1	-
10-12 mm wrench	1	-
16-17 mm wrench	2	-

The tool is supplied with kit Ø 4.8 already assembled.

## Technical data and features

Air working pressure	<b>6 bar</b>
Min-max air pressure	<b>5/7 bar</b>
Air consumption per cycle (6 bar)	<b>4.35 lt</b>
Stroke	<b>20 mm</b>
Max power (6 bar)	<b>10900 N</b>
Weight	<b>1.546 Kg</b>
Vibrations	<b>&lt; 2,5 m/s<sup>2</sup></b>
Noise level	<b>78 dB (A)</b>

## Optional

Picture	Description	Code
	Kit 503 - extension 100 mm	<b>4204300</b>
	Kit 503 - extension 200 mm	<b>4226800</b>

