

RIV939P8 **Hydropneumatic tool for rivet nuts from M3 to M12**

Stroke 8

new



1 PHASE TRIGGER
FORCE
ADJUSTMENT

Code 4844300

To place RIVSERT female rivet nuts from M3 to M12, RIVBOLT male rivet nuts from M4 to M10 and KEIRIV from M5 to M12 .

RIV939P8 to place rivet nuts using force adjustment. Automatic screwing by positioning the tie rod in the rivet nut, 1 PHASE rivet nut deformation and unscrewing.

In order to avoid the use of a special rod, a system has been designed to lodge an allen screw (hardness class 12.9), easy to find on the market and replace.

Advantages: kit assembling without use of the key | does not require any regulation with the change in thickness | no damage to the screw if the operation of deformation of the rivet nut is repeated.

Spare parts for RIVSERT (metric)



Ø rivet nut	Kit	Kit code	* Screw code (DIN912 12.9)
M3	939/03	3441100	3457600
M4	939/04	3441200	3470500
M5	939/05	3441300	3471900
M6	939/06	3441400	3472300
M8	939/08	3441500	3472800
M10	939/10	3441600	3473100
M12	939/12	3441700	3473300

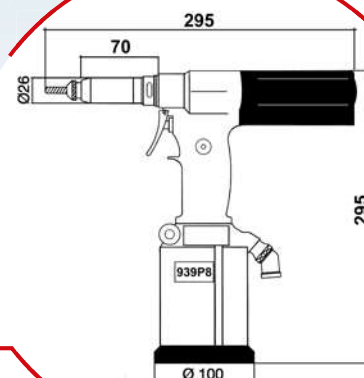
* Screw is included in the "Kit code" and can be ordered separately.

Spare parts for RIVBOLT



Ø rivet nut	Kit	Kit code	* Code (female tie rod)
M4	939/04B	3442300	3441900
M5	939/05B	3442400	3442000
M6	939/06B	3442500	3442100
M8	939/08B	3442600	3442200
M10	939/10B	4601900	4601800

* The female tie rod is included in the "Kit code" and can be ordered separately.



RIV939P8 is supplied in a case without the frontal head kit. Choose the correct kit according to the size of the rivet nut to be placed, and add it to the order (see the spare parts for RIVSERT/RIVBOLT/KEIRIV).

Technical data and features

Air working pressure	6 bar
Min-max air pressure	5/7 bar
Air consumption per cycle (6 bar)	5 lt
Stroke max	8 mm
Max power (6 bar)	19000 N
Weight (without kit)	2.200 Kg
Vibrations	< 2.5 m/s²
Noise level	76 dB (A)



Spare parts for KEIRIV

Ø rivet nut	Kit	Kit code	* Screw code
M5	939P8/05	5403200	5528900
M6	939P8/06	5403300	5529000
M8	939P8/08	5403400	5529100
M10	939P8/10	5403500	5529200
M12	939P8/12	5403600	5529300

* Screw is included in the "Kit code" and can be ordered separately.

Force
adjustment.

