



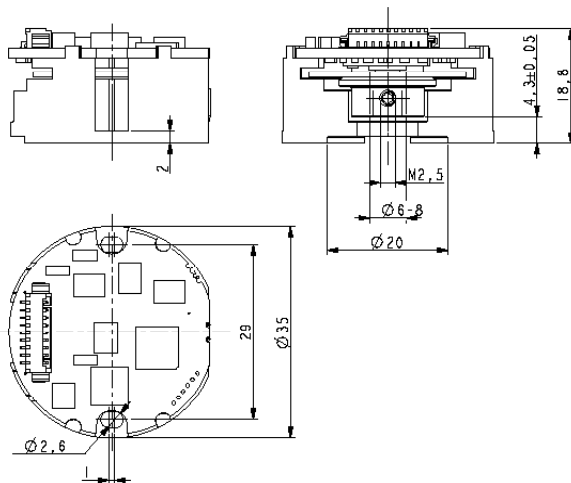
- Absolute frameless encoder
- Precise optical sensing
- Singleturn resolution up to 21 bit
- Electronic multiturn counter
- BiSS-C/SSI interface + incremental track 1Vpp

Applications:

- Servomotor feedback
- Robotics
- Electromedical devices



ASM36 • AMM36



Note:

Precise alignment of the encoder is provided by the flange pilot (ø20 mm) which guides the encoder module to the correct position on the mechanical interface.

GENERAL SPECIFICATIONS

Resolution:	absolute: from 17 to 21 bit (singleturn) 65536 rev. max (multiturn)(*) incremental: 256 PPR AB /AB
Accuracy:	typ. ±0,01°
Interface:	absolute: BiSS-C/SSI, RS485 incremental: 1Vpp sine/cosine AB /AB
Hollow shaft diameter:	Ø6, 8 mm

ACCESSORIES

IF90-SC:	Calibration/setup interface
EXC-D15M-S71-TF12-1-X10-LK:	Calibration cable
PF5009:	Disk spacer

More detailed information are available on request.